

www.pgr.com.tr

PGR[®]
DRIVE TECHNOLOGIES

| EN |

GENERAL PART LIST

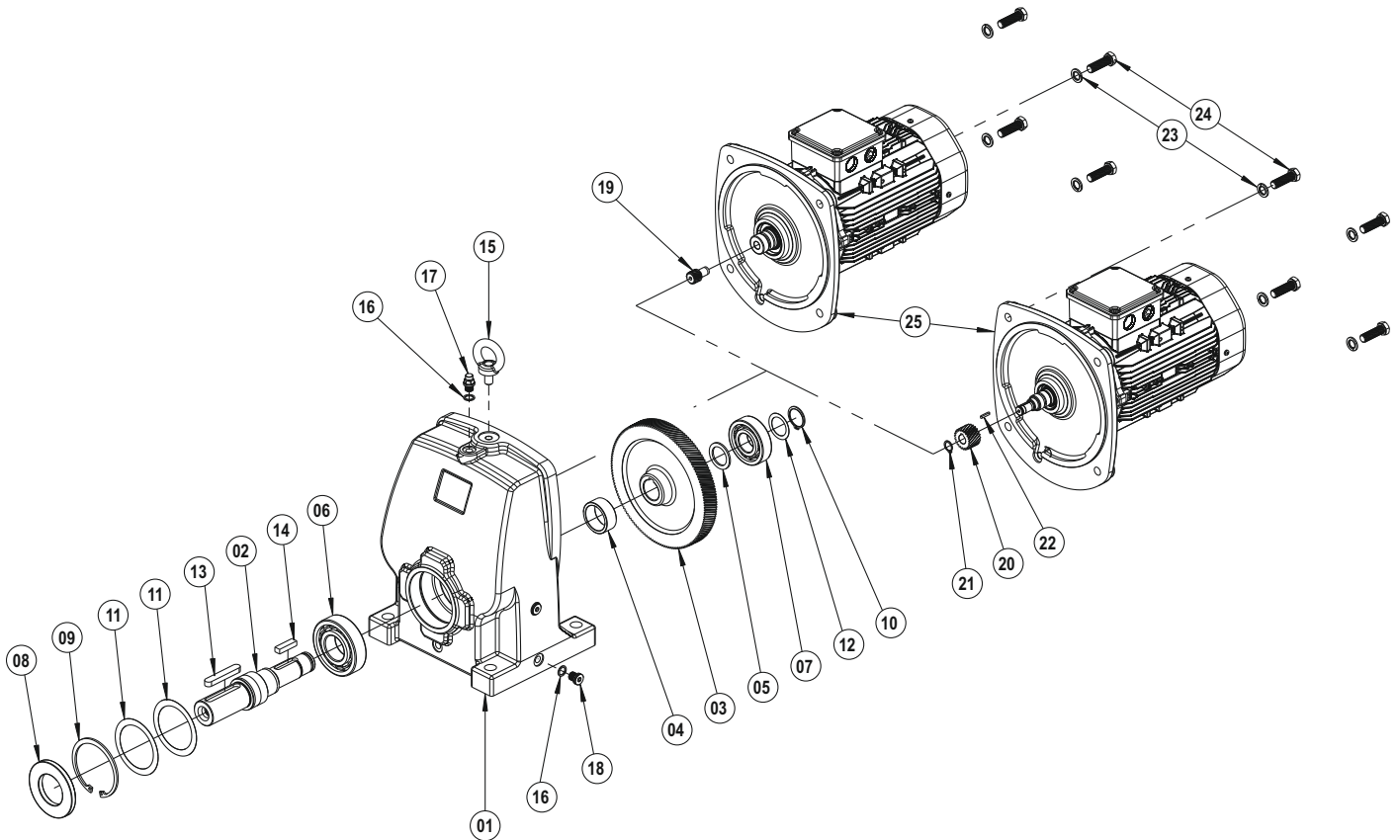
PA-PF | SERIES

Helical Geared Motors

We reserve the right to our company to make changes or modifications to catalogue without prior notice.

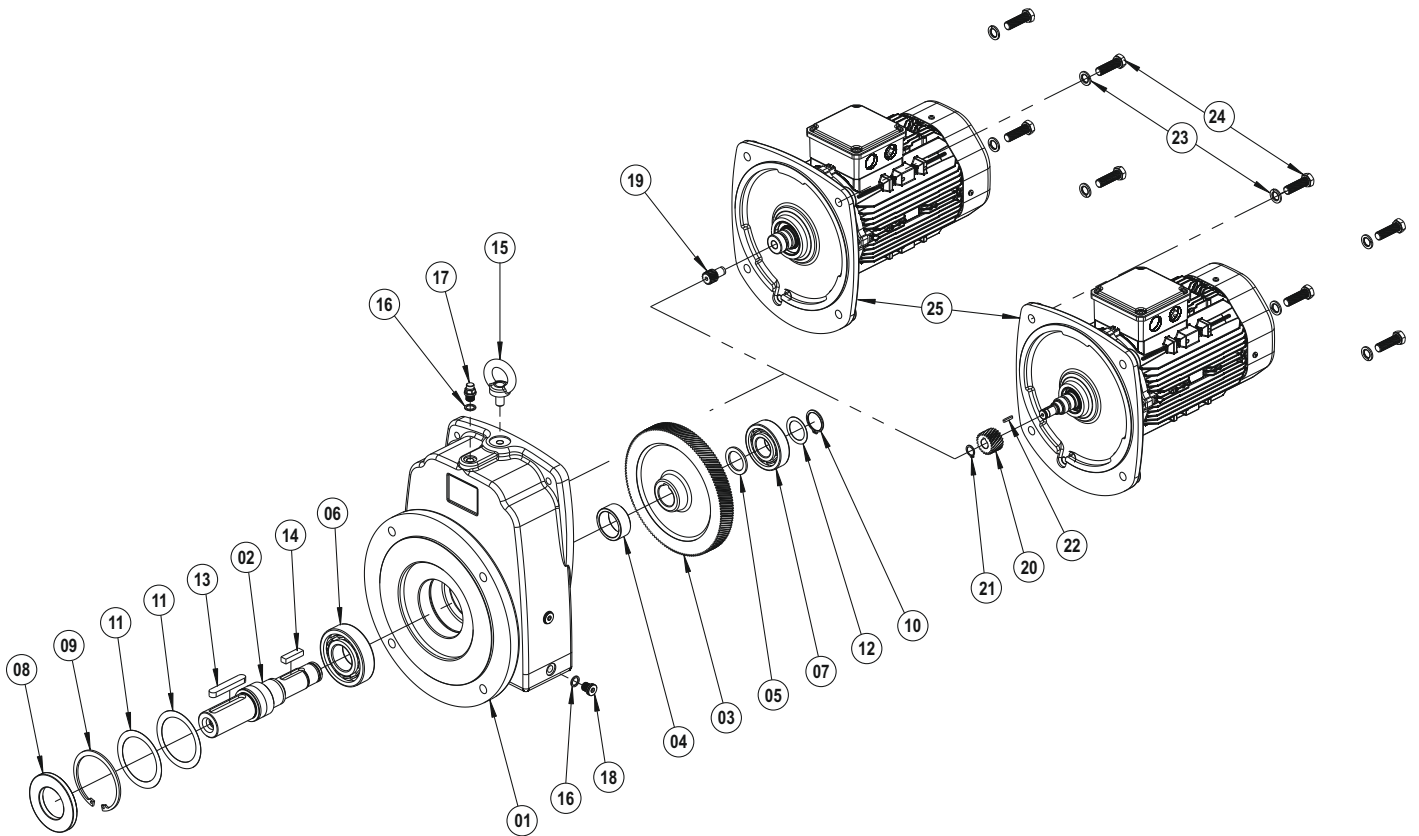
PGR[®]
DRIVE TECHNOLOGIES

The exploded image may vary depending on the body and motor size, please contact us for the detailed exploded image.



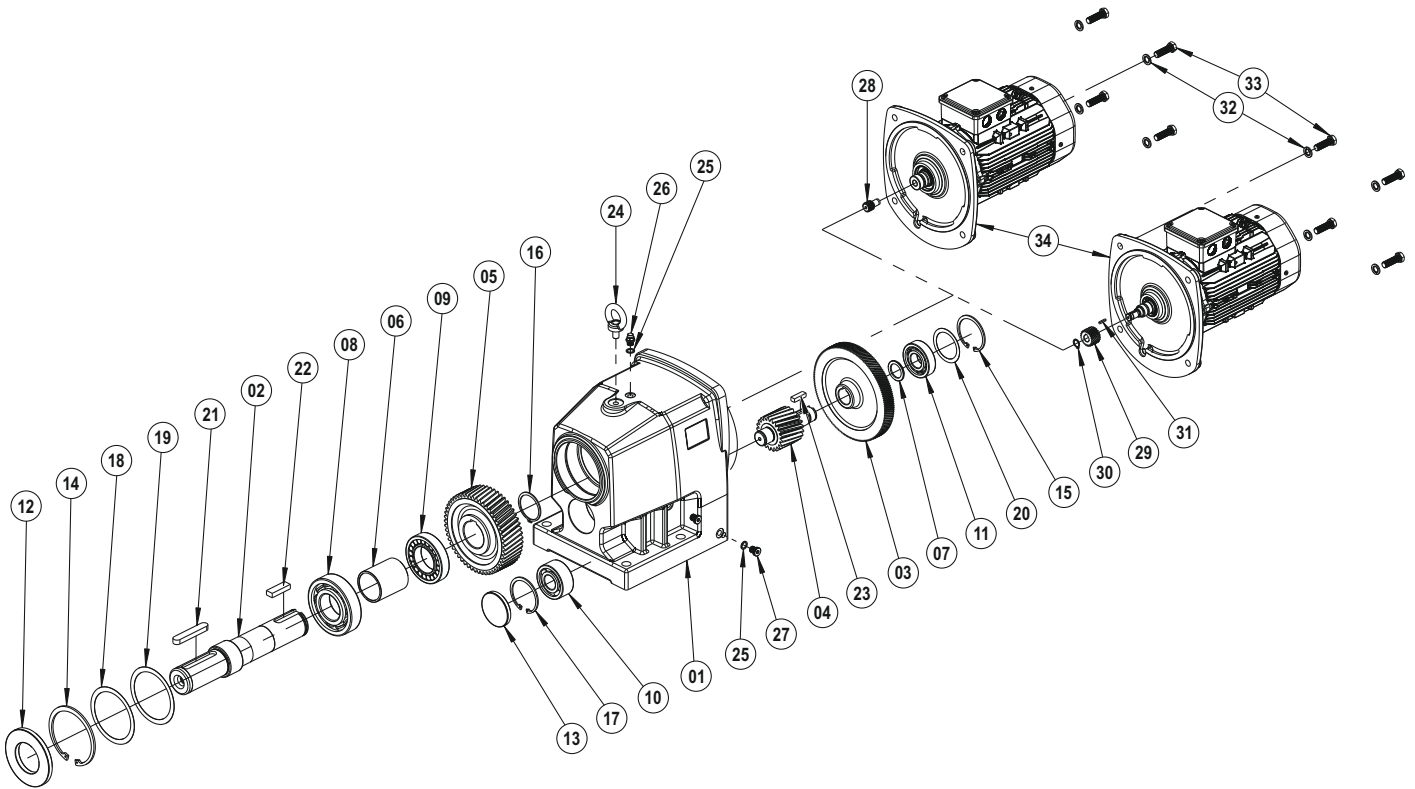
- 01 Gear Case
- 02 Output Solid Shaft
- 03 Driving Gear
- 04 Spacer
- 05 Washer
- 06 Bearing
- 07 Bearing
- 08 Oil Seal
- 09 Circlip (DIN 472)
- 10 Circlip (DIN 471)
- 11 Shim (DIN 988)
- 12 Shim (DIN 988)
- 13 Key (DIN 6885)
- 14 Key (DIN 6885)
- 15 Eye Bolt (DIN 580)
- 16 Washer (DIN 7603)
- 17 Vent Plug
- 18 Oil Plug (DIN 908)
- 19 Driving Pinion
- 20 Driving Pinion (With Key)
- 21 Circlip (DIN 471)
- 22 Key (DIN 6885)
- 23 Washer (DIN 127)
- 24 Bolt (DIN 933)
- 25 Motor

The exploded image may vary depending on the body and motor size, please contact us for the detailed exploded image.



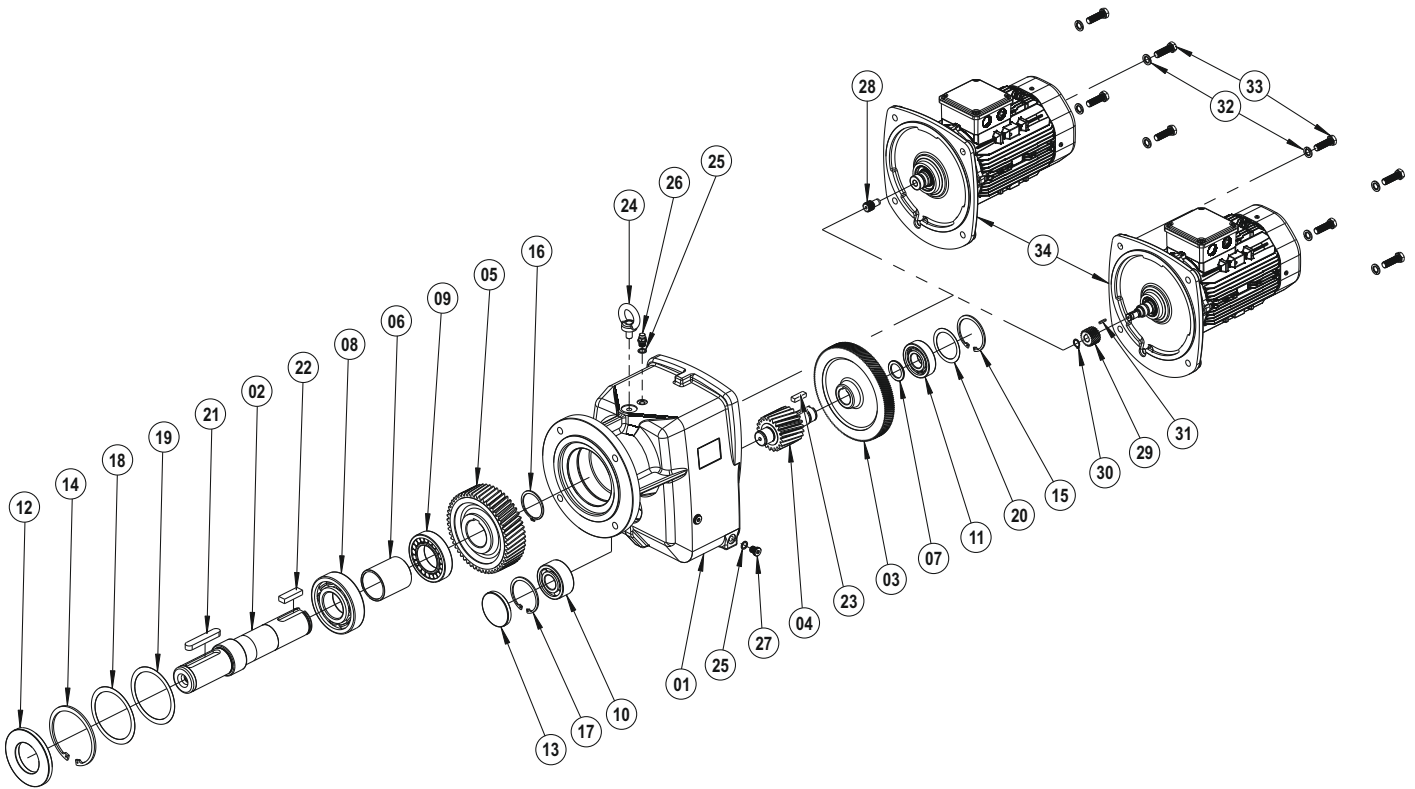
- 01 Gear Case
- 02 Output Solid Shaft
- 03 Driving Gear
- 04 Spacer
- 05 Washer
- 06 Bearing
- 07 Bearing
- 08 Oil Seal
- 09 Circlip (DIN 472)
- 10 Circlip (DIN 471)
- 11 Shim (DIN 988)
- 12 Shim (DIN 988)
- 13 Key (DIN 6885)
- 14 Key (DIN 6885)
- 15 Eye Bolt (DIN 580)
- 16 Washer (DIN 7603)
- 17 Vent Plug
- 18 Oil Plug (DIN 908)
- 19 Driving Pinion
- 20 Driving Pinion (With Key)
- 21 Circlip (DIN 471)
- 22 Key (DIN 6885)
- 23 Washer (DIN 127)
- 24 Bolt (DIN 933)
- 25 Motor

The exploded image may vary depending on the body and motor size, please contact us for the detailed exploded image.



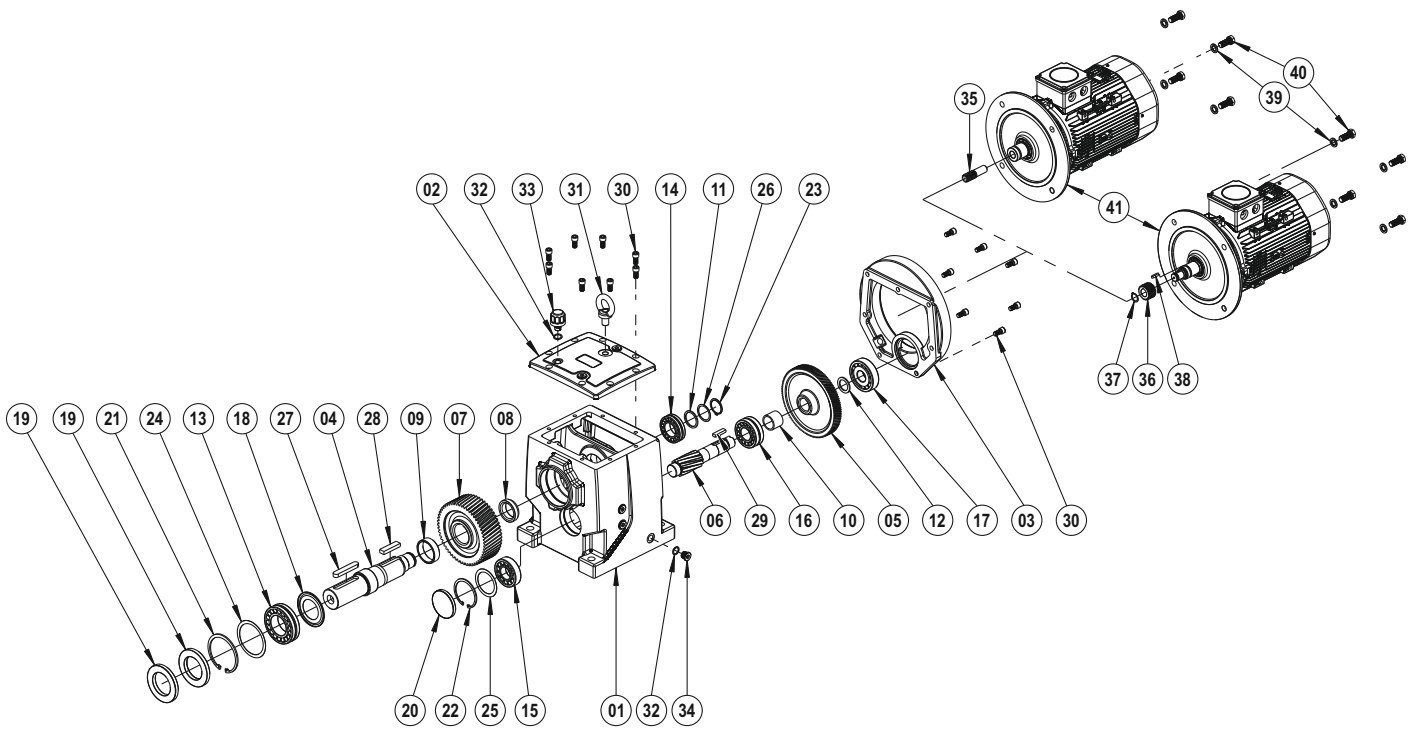
- 01 Gear Case
- 02 Output Solid Shaft
- 03 Driving Gear
- 04 Pinion Shaft
- 05 Driven Gear
- 06 Spacer
- 07 Washer
- 08 Bearing
- 09 Bearing
- 10 Bearing
- 11 Bearing
- 12 Oil Seal
- 13 Oil Cover
- 14 Circlip (DIN 472)
- 15 Circlip (DIN 472)
- 16 Circlip (DIN 471)
- 17 Circlip (DIN 472)
- 18 Shim (DIN 988)
- 19 Shim (DIN 988)
- 20 Shim (DIN 988)
- 21 Key (DIN 6885)
- 22 Key (DIN 6885)
- 23 Key (DIN 6885)
- 24 Eye Bolt (DIN 580)
- 25 Washer (DIN 7603)
- 26 Vent Plug
- 27 Oil Plug (DIN 908)
- 28 Driving Pinion
- 29 Driving Pinion (With Key)
- 30 Circlip (DIN 471)
- 31 Key (DIN 6885)
- 32 Washer (DIN 127)
- 33 Bolt (DIN 933)
- 34 Motor

The exploded image may vary depending on the body and motor size, please contact us for the detailed exploded image.



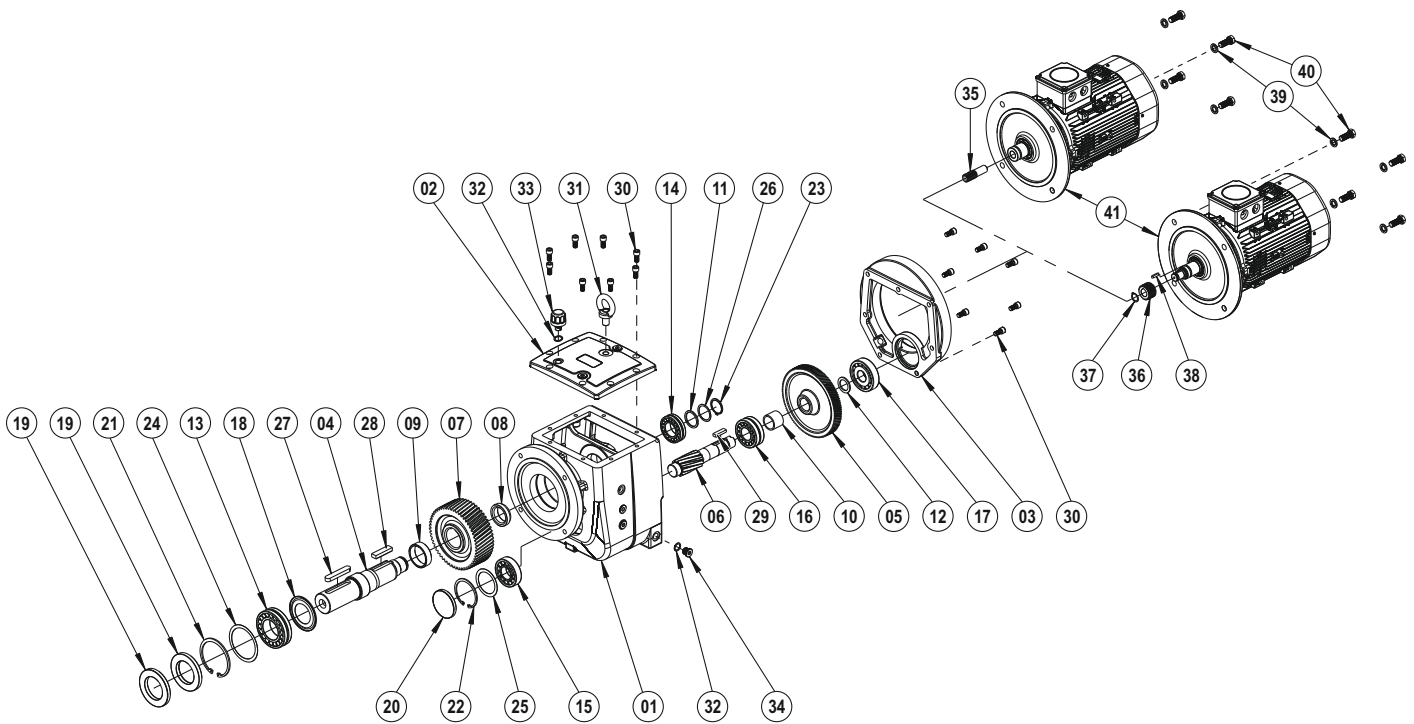
- 01 Gear Case
- 02 Output Solid Shaft
- 03 Driving Gear
- 04 Pinion Shaft
- 05 Driven Gear
- 06 Spacer
- 07 Washer
- 08 Bearing
- 09 Bearing
- 10 Bearing
- 11 Bearing
- 12 Oil Seal
- 13 Oil Cover
- 14 Circlip (DIN 472)
- 15 Circlip (DIN 472)
- 16 Circlip (DIN 471)
- 17 Circlip (DIN 472)
- 18 Shim (DIN 988)
- 19 Shim (DIN 988)
- 20 Shim (DIN 988)
- 21 Key (DIN 6885)
- 22 Key (DIN 6885)
- 23 Key (DIN 6885)
- 24 Eye Bolt (DIN 580)
- 25 Washer (DIN 7603)
- 26 Vent Plug
- 27 Oil Plug (DIN 908)
- 28 Driving Pinion
- 29 Driving Pinion (With Key)
- 30 Circlip (DIN 471)
- 31 Key (DIN 6885)
- 32 Washer (DIN 127)
- 33 Bolt (DIN 933)
- 34 Motor

The exploded image may vary depending on the body and motor size, please contact us for the detailed exploded image.



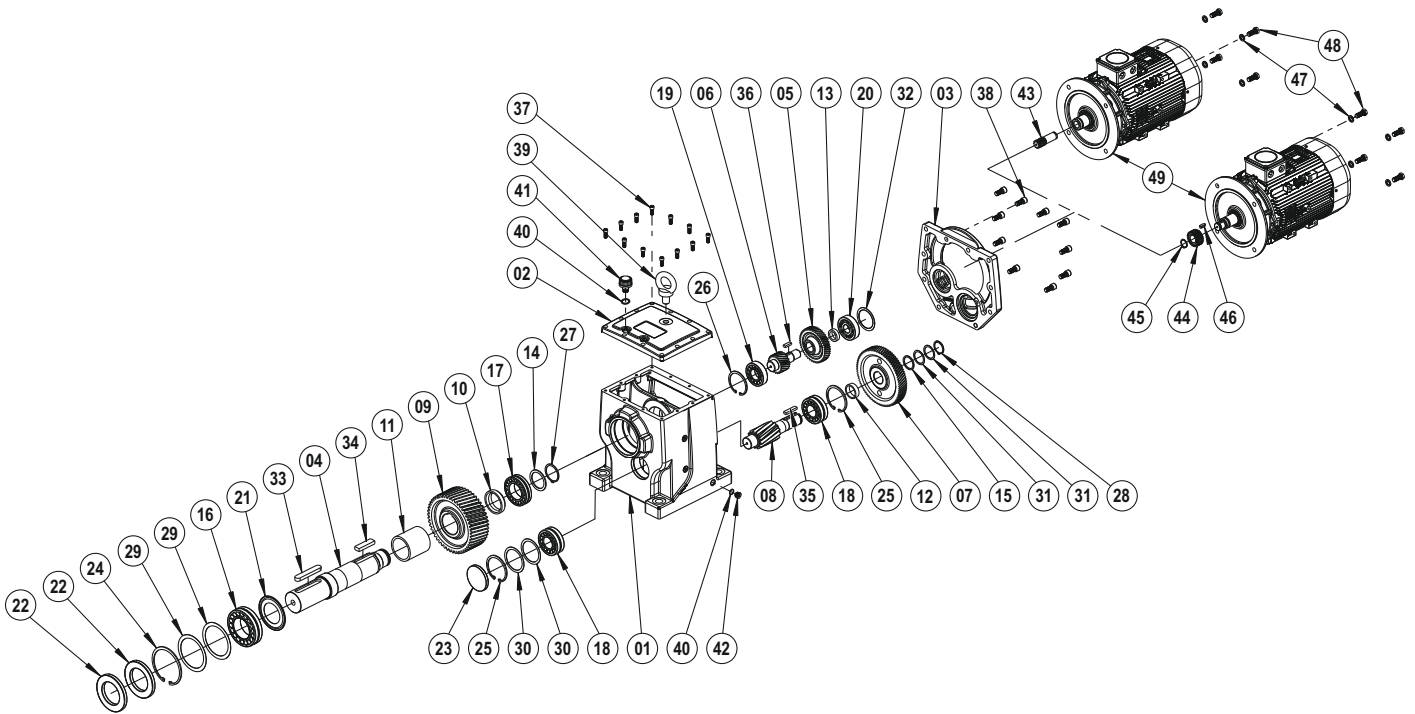
- | | |
|------------------------|------------------------------|
| 01 Gear Case | 22 Circlip (DIN 472) |
| 02 Cover | 23 Circlip (DIN 471) |
| 03 Intermediate Flange | 24 Shim (DIN 988) |
| 04 Output Solid Shaft | 25 Shim (DIN 988) |
| 05 Driving Gear | 26 Shim (DIN 988) |
| 06 Pinion Shaft | 27 Key (DIN 6885) |
| 07 Driven Gear | 28 Key (DIN 6885) |
| 08 Spacer | 29 Key (DIN 6885) |
| 09 Spacer | 30 Bolt (DIN 912) |
| 10 Spacer | 31 Eye Bolt (DIN 580) |
| 11 Washer | 32 Washer (DIN 7603) |
| 12 Washer | 33 Vent Plug |
| 13 Bearing | 34 Oil Plug(DIN 908) |
| 14 Bearing | 35 Driving Pinion |
| 15 Bearing | 36 Driving Pinion (With Key) |
| 16 Bearing | 37 Circlip (DIN 471) |
| 17 Bearing | 38 Key (DIN 6885) |
| 18 Nilos-Ring | 39 Washer (DIN 127) |
| 19 Oil Seal | 40 Bolt (DIN 933) |
| 20 Oil Cover | 41 Motor |
| 21 Circlip (DIN 472) | |

The exploded image may vary depending on the body and motor size, please contact us for the detailed exploded image.



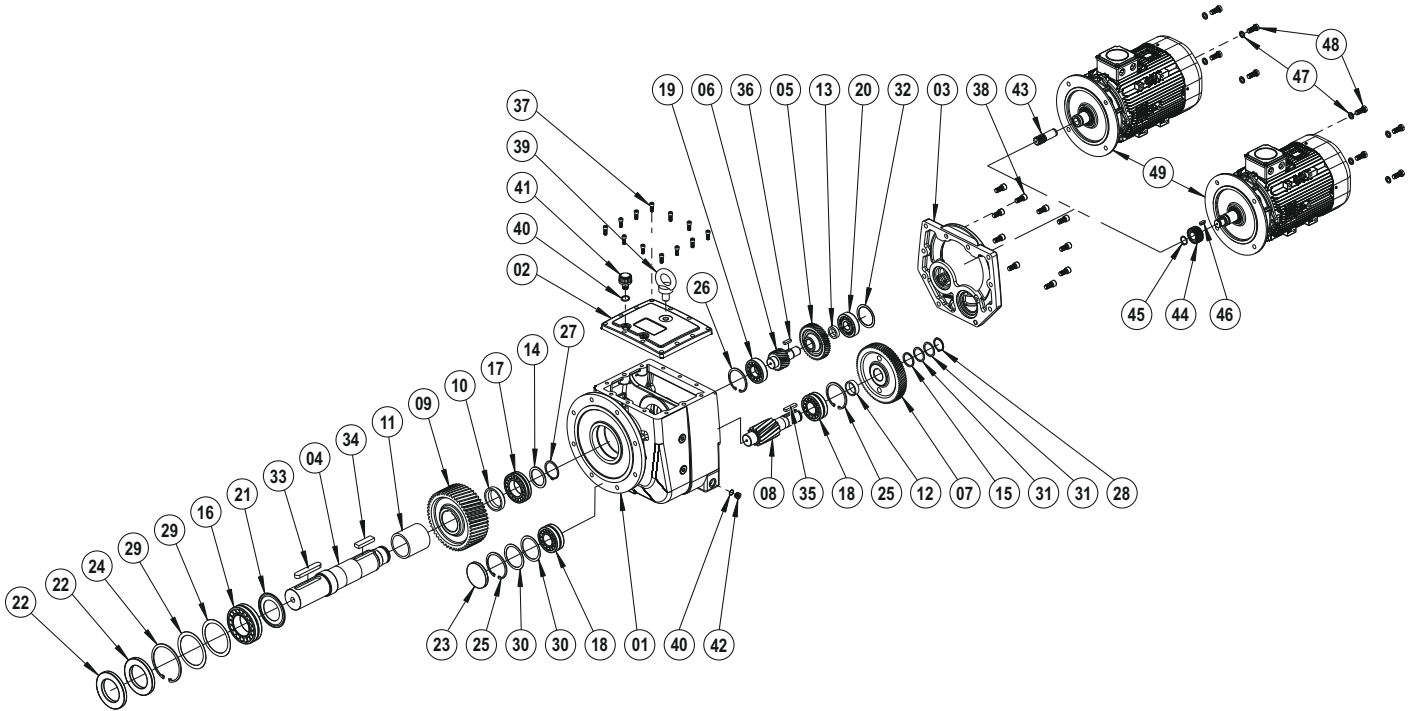
- | | |
|------------------------|------------------------------|
| 01 Gear Case | 22 Circlip (DIN 472) |
| 02 Cover | 23 Circlip (DIN 471) |
| 03 Intermediate Flange | 24 Shim (DIN 988) |
| 04 Output Solid Shaft | 25 Shim (DIN 988) |
| 05 Driving Gear | 26 Shim (DIN 988) |
| 06 Pinion Shaft | 27 Key (DIN 6885) |
| 07 Driven Gear | 28 Key (DIN 6885) |
| 08 Spacer | 29 Key (DIN 6885) |
| 09 Spacer | 30 Bolt (DIN 912) |
| 10 Spacer | 31 Eye Bolt (DIN 580) |
| 11 Washer | 32 Washer (DIN 7603) |
| 12 Washer | 33 Vent Plug |
| 13 Bearing | 34 Oil Plug (DIN 908) |
| 14 Bearing | 35 Driving Pinion |
| 15 Bearing | 36 Driving Pinion (With Key) |
| 16 Bearing | 37 Circlip (DIN 471) |
| 17 Bearing | 38 Key (DIN 6885) |
| 18 Nilos-Ring | 39 Washer (DIN 127) |
| 19 Oil Seal | 40 Bolt (DIN 933) |
| 20 Oil Cover | 41 Motor |
| 21 Circlip (DIN 472) | |

The exploded image may vary depending on the body and motor size, please contact us for the detailed exploded image.



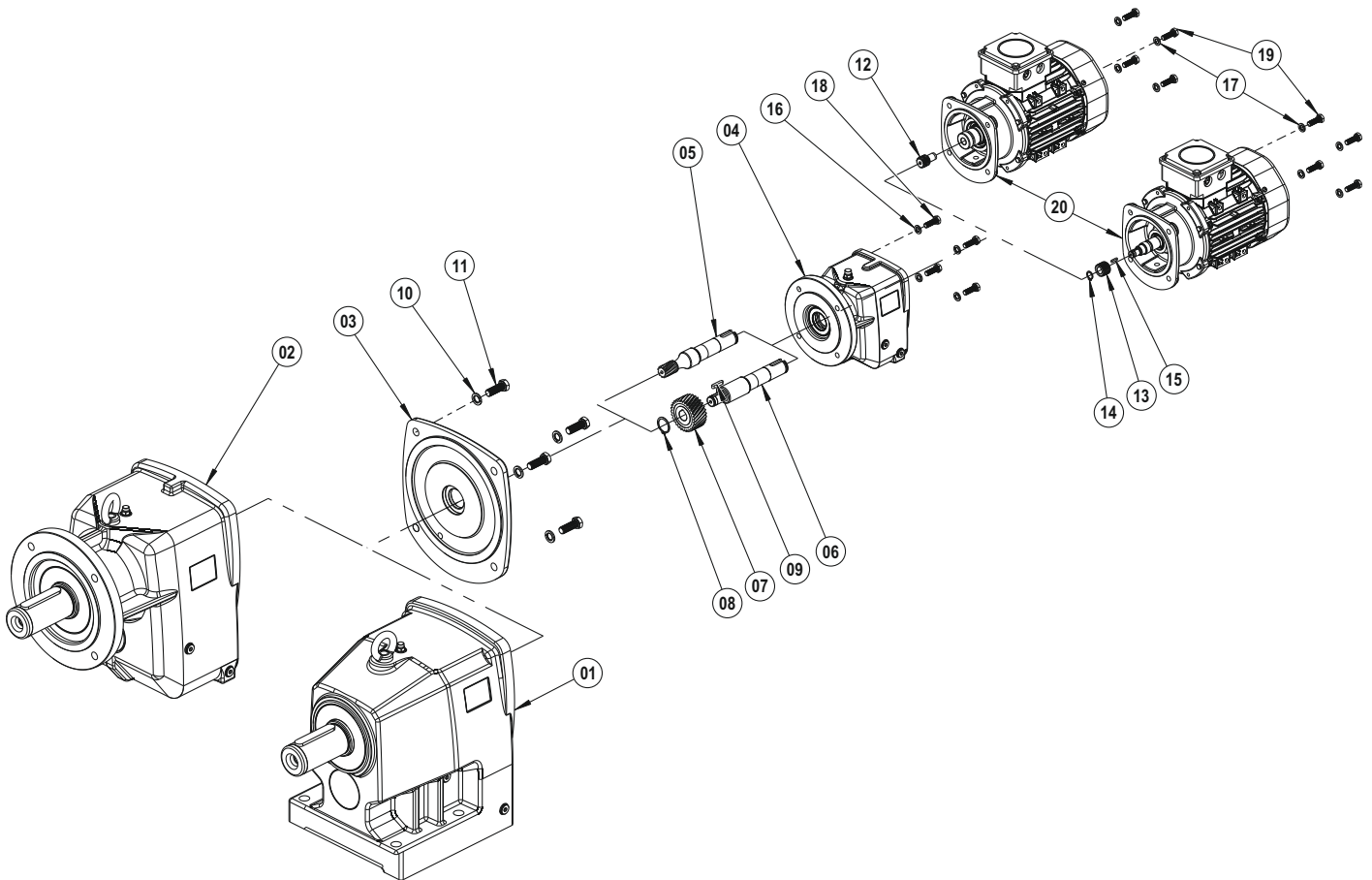
- | | |
|------------------------|------------------------------|
| 01 Gear Case | 26 Circlip (DIN 472) |
| 02 Cover | 27 Circlip (DIN 471) |
| 03 Intermediate Flange | 28 Circlip (DIN 471) |
| 04 Output Solid Shaft | 29 Shim (DIN 988) |
| 05 Driving Gear | 30 Shim (DIN 988) |
| 06 Pinion Shaft | 31 Shim (DIN 988) |
| 07 Driven Gear | 32 Shim (DIN 988) |
| 08 Pinion Shaft | 33 Key (DIN 6885) |
| 09 Driven Gear | 34 Key (DIN 6885) |
| 10 Spacer | 35 Key (DIN 6885) |
| 11 Spacer | 36 Key (DIN 6885) |
| 12 Spacer | 37 Bolt (DIN 912) |
| 13 Spacer | 38 Bolt (DIN 912) |
| 14 Washer | 39 Eye Bolt (DIN 580) |
| 15 Washer | 40 Washer (DIN 7603) |
| 16 Bearing | 41 Vent Plug |
| 17 Bearing | 42 Oil Plug (DIN 908) |
| 18 Bearing | 43 Driving Pinion |
| 19 Bearing | 44 Driving Pinion (With Key) |
| 20 Bearing | 45 Circlip (DIN 471) |
| 21 Nilos-Ring | 46 Key (DIN 6885) |
| 22 Oil Seal | 47 Washer (DIN 127) |
| 23 Oil Cover | 48 Bolt (DIN 933) |
| 24 Circlip (DIN 472) | 49 Motor |
| 25 Circlip (DIN 472) | |

The exploded image may vary depending on the body and motor size, please contact us for the detailed exploded image.



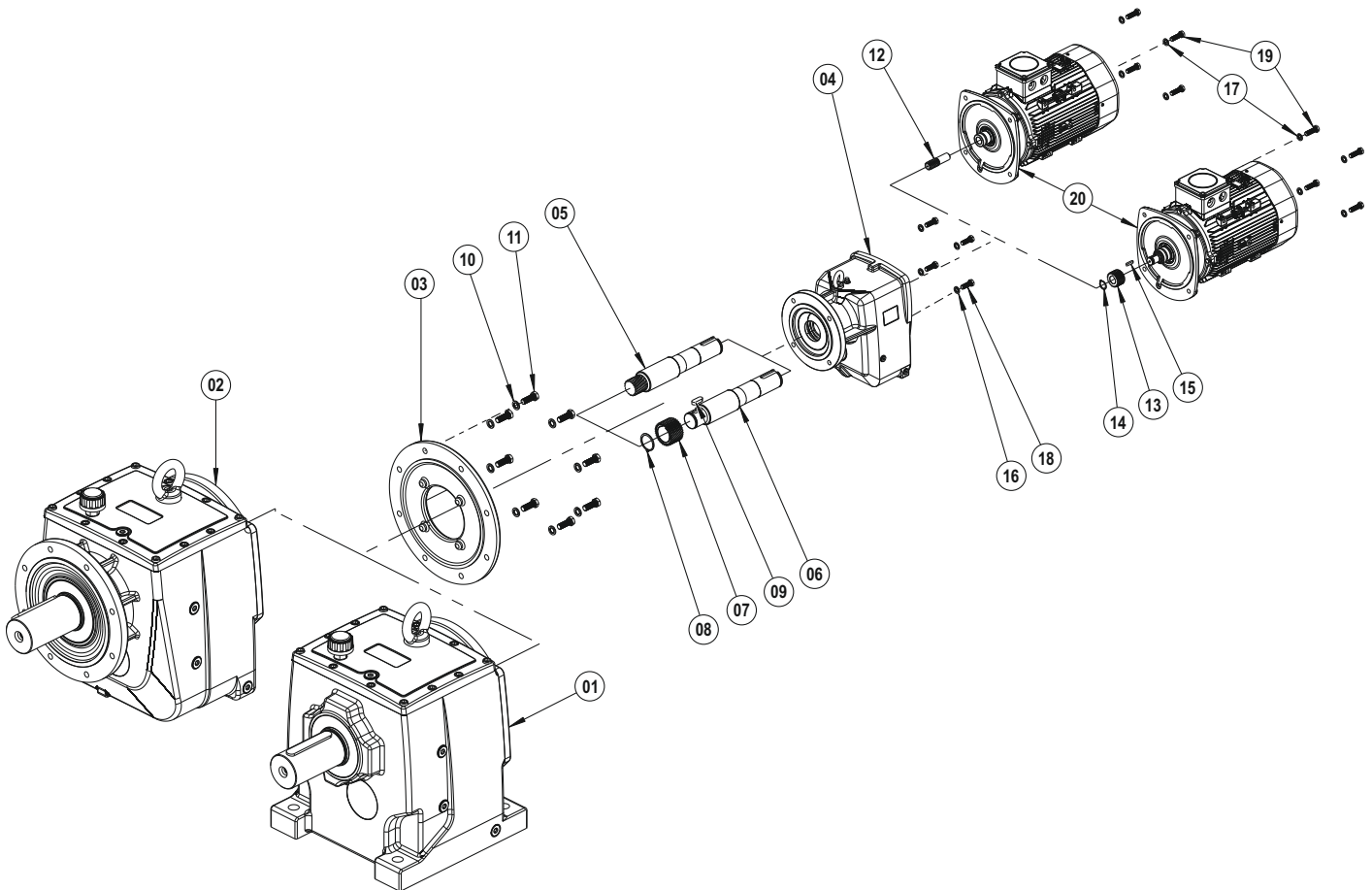
- | | |
|------------------------|------------------------------|
| 01 Gear Case | 26 Circlip (DIN 472) |
| 02 Cover | 27 Circlip (DIN 471) |
| 03 Intermediate Flange | 28 Circlip (DIN 471) |
| 04 Output Solid Shaft | 29 Shim (DIN 988) |
| 05 Driving Gear | 30 Shim (DIN 988) |
| 06 Pinion Shaft | 31 Shim (DIN 988) |
| 07 Driven Gear | 32 Shim (DIN 988) |
| 08 Pinion Shaft | 33 Key (DIN 6885) |
| 09 Driven Gear | 34 Key (DIN 6885) |
| 10 Spacer | 35 Key (DIN 6885) |
| 11 Spacer | 36 Key (DIN 6885) |
| 12 Spacer | 37 Bolt (DIN 912) |
| 13 Spacer | 38 Bolt (DIN 912) |
| 14 Washer | 39 Eye Bolt (DIN 580) |
| 15 Washer | 40 Washer (DIN 7603) |
| 16 Bearing | 41 Vent Plug |
| 17 Bearing | 42 Oil Plug (DIN 908) |
| 18 Bearing | 43 Driving Pinion |
| 19 Bearing | 44 Driving Pinion (With Key) |
| 20 Bearing | 45 Circlip (DIN 471) |
| 21 Nilos-Ring | 46 Key (DIN 6885) |
| 22 Oil Seal | 47 Washer (DIN 127) |
| 23 Oil Cover | 48 Bolt (DIN 933) |
| 24 Circlip (DIN 472) | 49 Motor |
| 25 Circlip (DIN 472) | |

The exploded image may vary depending on the body and motor size, please contact us for the detailed exploded image.



- 01 PA Kit
- 02 PF Kit
- 03 Intermediate Flange
- 04 PF Kit
- 05 Intermediate Shaft (With Gear)
- 06 Intermediate Shaft (With Key)
- 07 Intermediate Gear (With Key)
- 08 Circlip (DIN 471)
- 09 Key (DIN 6885)
- 10 Washer (DIN 127)
- 11 Bolt (DIN 933)
- 12 Driving Pinion
- 13 Driving Pinion (With Key)
- 14 Circlip (DIN 471)
- 15 Key (DIN 6885)
- 16 Washer (DIN 127)
- 17 Washer (DIN 127)
- 18 Bolt (DIN 933)
- 19 Bolt (DIN 933)
- 20 Motor

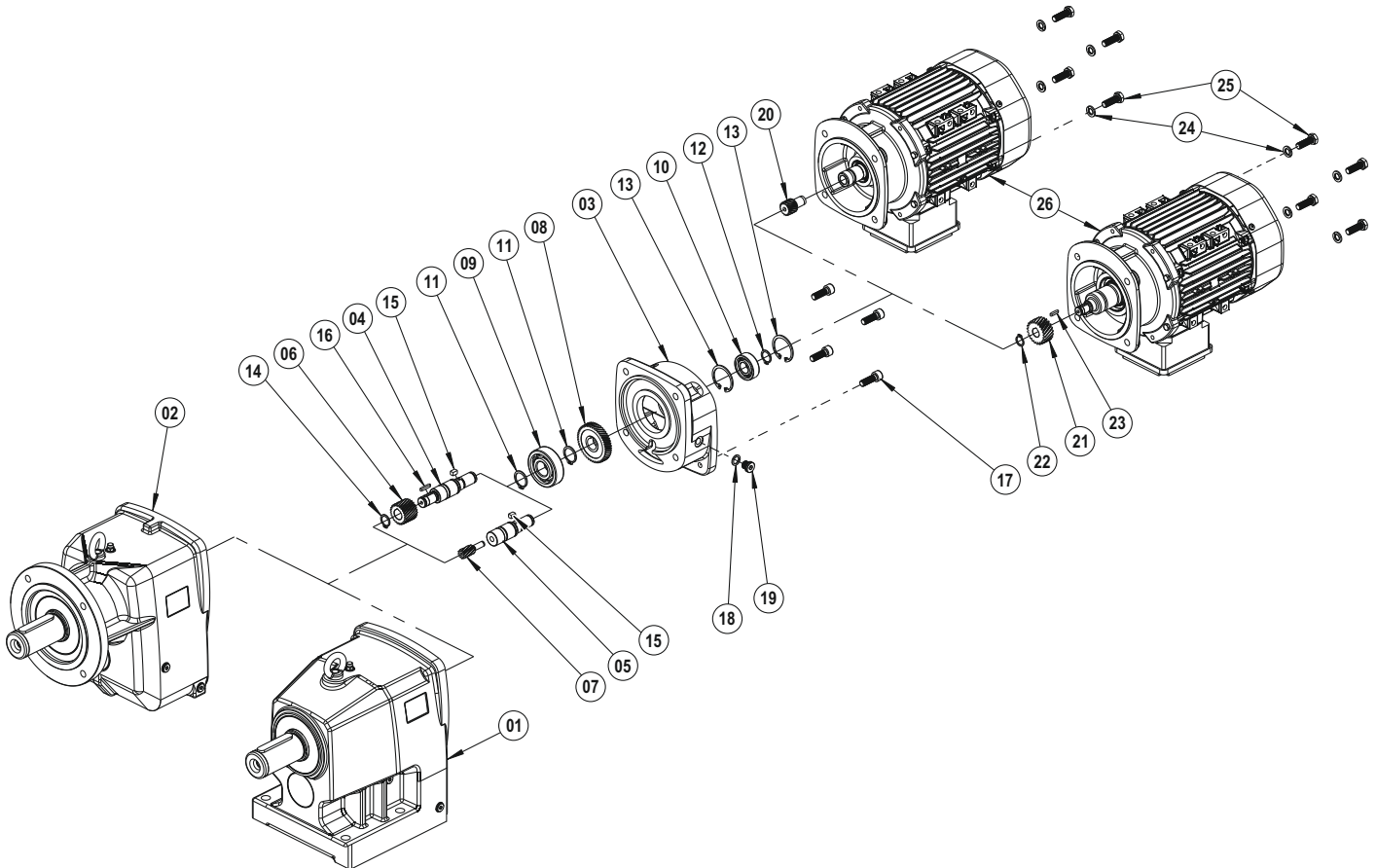
The exploded image may vary depending on the body and motor size, please contact us for the detailed exploded image.



- 01 PA Kit
- 02 PF Kit
- 03 Intermediate Flange
- 04 PF Kit
- 05 Intermediate Shaft (With Gear)
- 06 Intermediate Shaft (With Key)
- 07 Intermediate Gear (With Key)
- 08 Circlip (DIN 471)
- 09 Key (DIN 6885)
- 10 Washer (DIN 127)
- 11 Bolt (DIN 933)
- 12 Driving Pinion
- 13 Driving Pinion (With Key)
- 14 Circlip (DIN 471)
- 15 Key (DIN 6885)
- 16 Washer (DIN 127)
- 17 Washer (DIN 127)
- 18 Bolt (DIN 933)
- 19 Bolt (DIN 933)
- 20 Motor

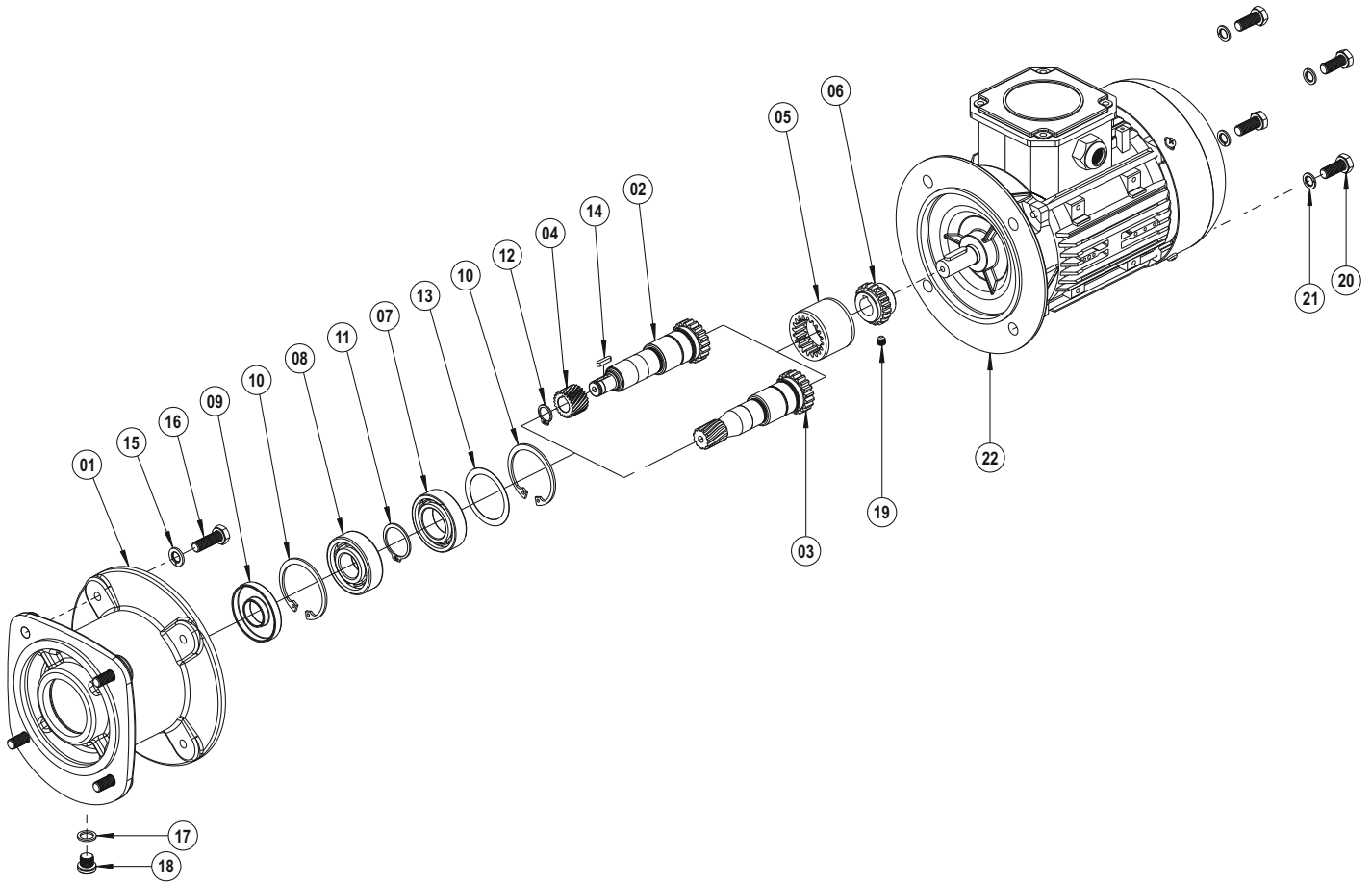
Reduction Gear Case

The exploded image may vary depending on the body and motor size, please contact us for the detailed exploded image.



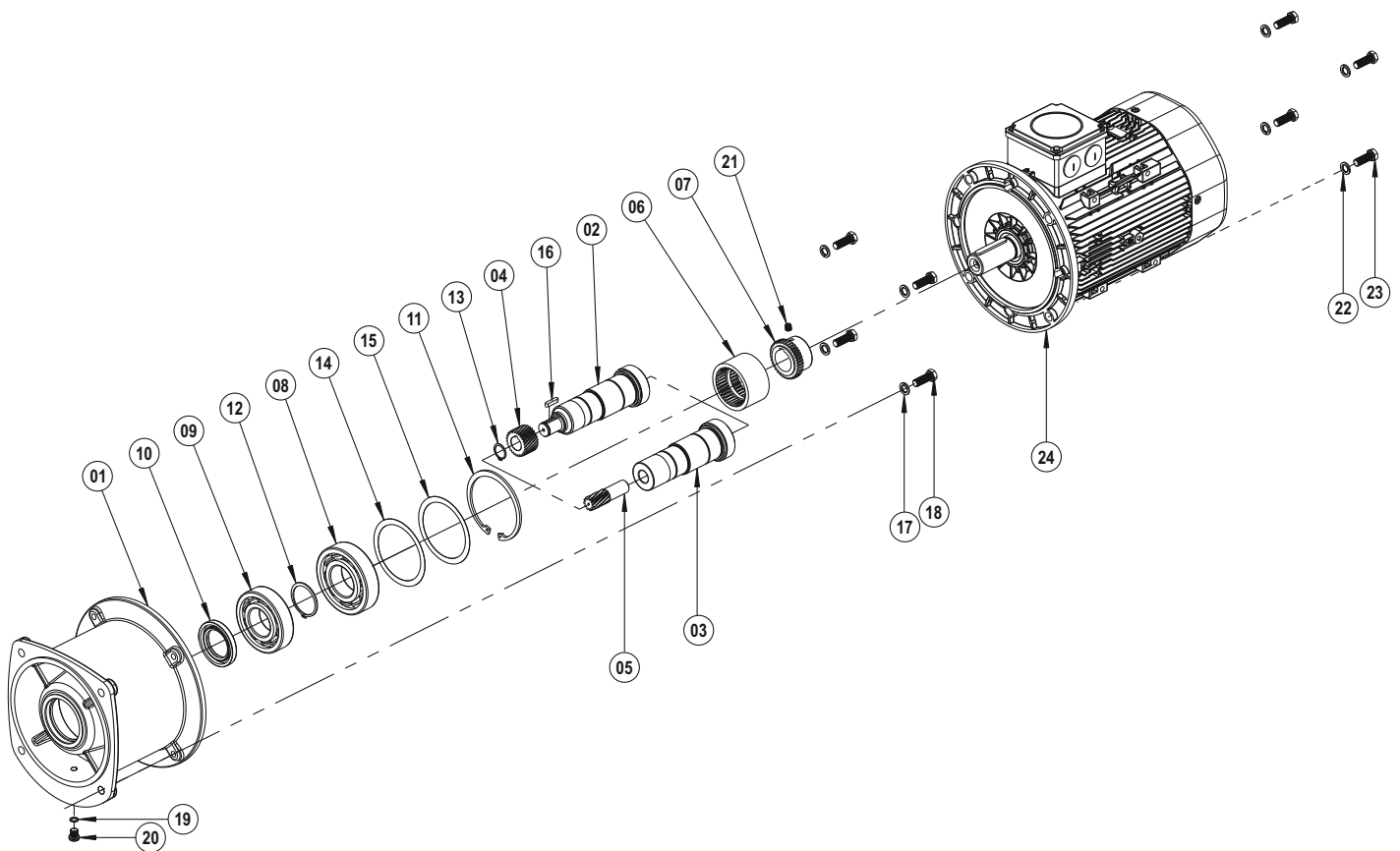
- 01 PA Kit
- 02 PF Kit
- 03 Reduction Gear Case
- 04 Intermediate Shaft (With Key)
- 05 Intermediate Shaft
- 06 Intermediate Gear (With Key)
- 07 Intermediate Gear
- 08 Driving Gear
- 09 Bearing
- 10 Bearing
- 11 Circlip (DIN 471)
- 12 Circlip (DIN 471)
- 13 Circlip (DIN 472)
- 14 Circlip (DIN 471)
- 15 Key (DIN 6885)
- 16 Key (DIN 6885)
- 17 Bolt (DIN 912)
- 18 Washer (DIN 7603)
- 19 Oil Plug (DIN 908)
- 20 Driving Pinion
- 21 Driving Pinion (With Key)
- 22 Circlip (DIN 471)
- 23 Key (DIN 6885)
- 24 Washer (DIN 127)
- 25 Bolt (DIN 933)
- 26 Motor

The exploded image may vary depending on the body and motor size, please contact us for the detailed exploded image.



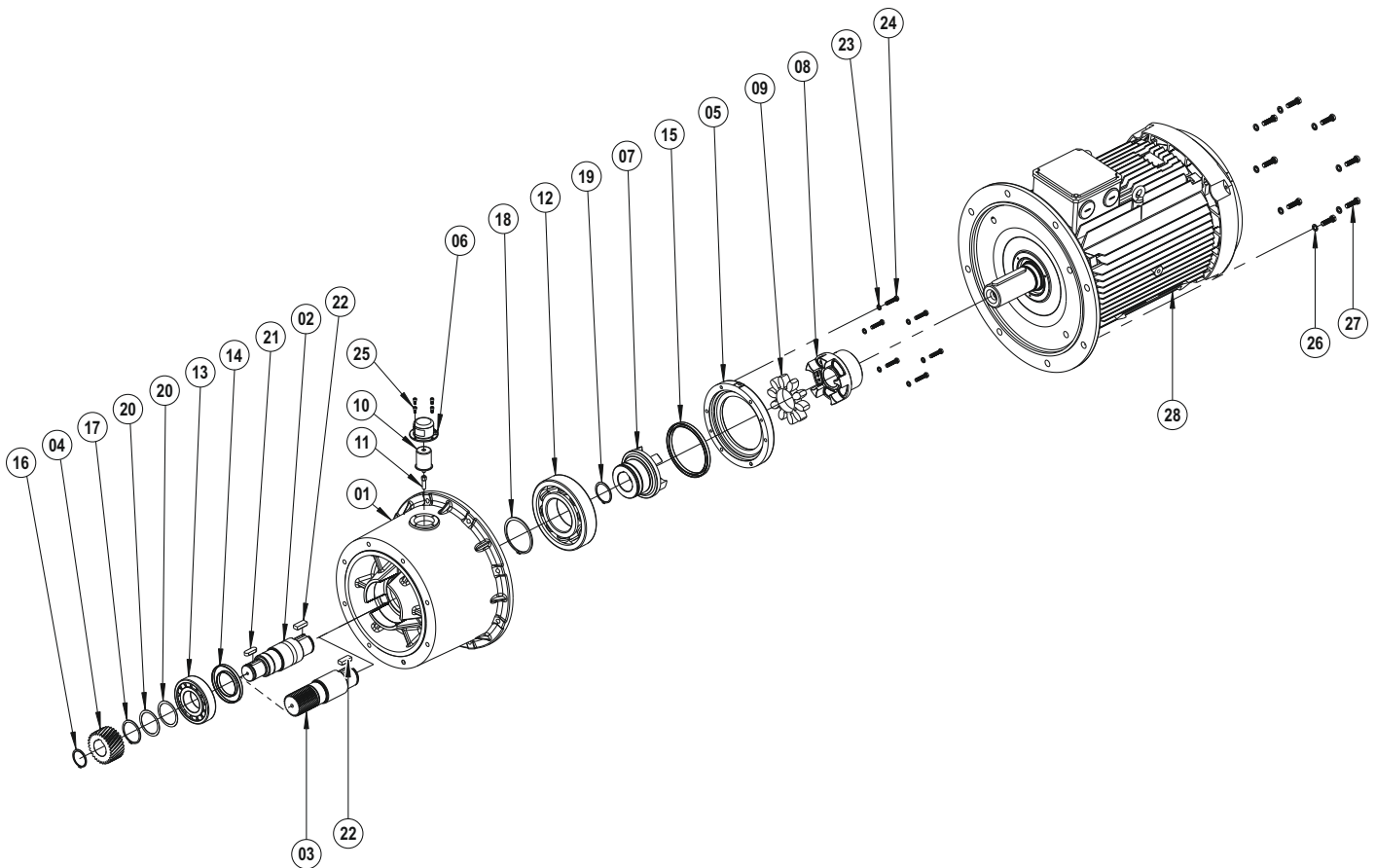
- 01 Gear Case
- 02 IEC Shaft (With Key)
- 03 IEC Shaft (With Gear)
- 04 Driving Pinion (With Key)
- 05 Plastic Coupling
- 06 Metal Coupling
- 07 Bearing
- 08 Bearing
- 09 Oil Seal
- 10 Circlip (DIN 472)
- 11 Circlip (DIN 471)
- 12 Circlip (DIN 471)
- 13 Shim (DIN 988)
- 14 Key (DIN 6885)
- 15 Washer (DIN 127)
- 16 Bolt (DIN 933)
- 17 Washer (DIN 7603)
- 18 Oil Plug (DIN 908)
- 19 Bolt (DIN 916)
- 20 Bolt (DIN 933)
- 21 Washer (DIN 127)
- 22 Motor

The exploded image may vary depending on the body and motor size, please contact us for the detailed exploded image.



- 01 Gear Case
- 02 IEC Shaft (With Key)
- 03 IEC Shaft
- 04 Driving Pinion (With Key)
- 05 Driving Pinion
- 06 Plastic Coupling
- 07 Metal Coupling
- 08 Bearing
- 09 Bearing
- 10 Oil Seal
- 11 Circlip (DIN 472)
- 12 Circlip (DIN 471)
- 13 Circlip (DIN 471)
- 14 Shim (DIN 988)
- 15 Shim (DIN 988)
- 16 Key (DIN 6885)
- 17 Washer (DIN 127)
- 18 Bolt (DIN 933)
- 19 Washer (DIN 7603)
- 20 Oil Plug (DIN 908)
- 21 Bolt (DIN 916)
- 22 Washer (DIN 127)
- 23 Bolt (DIN 933)
- 24 Motor

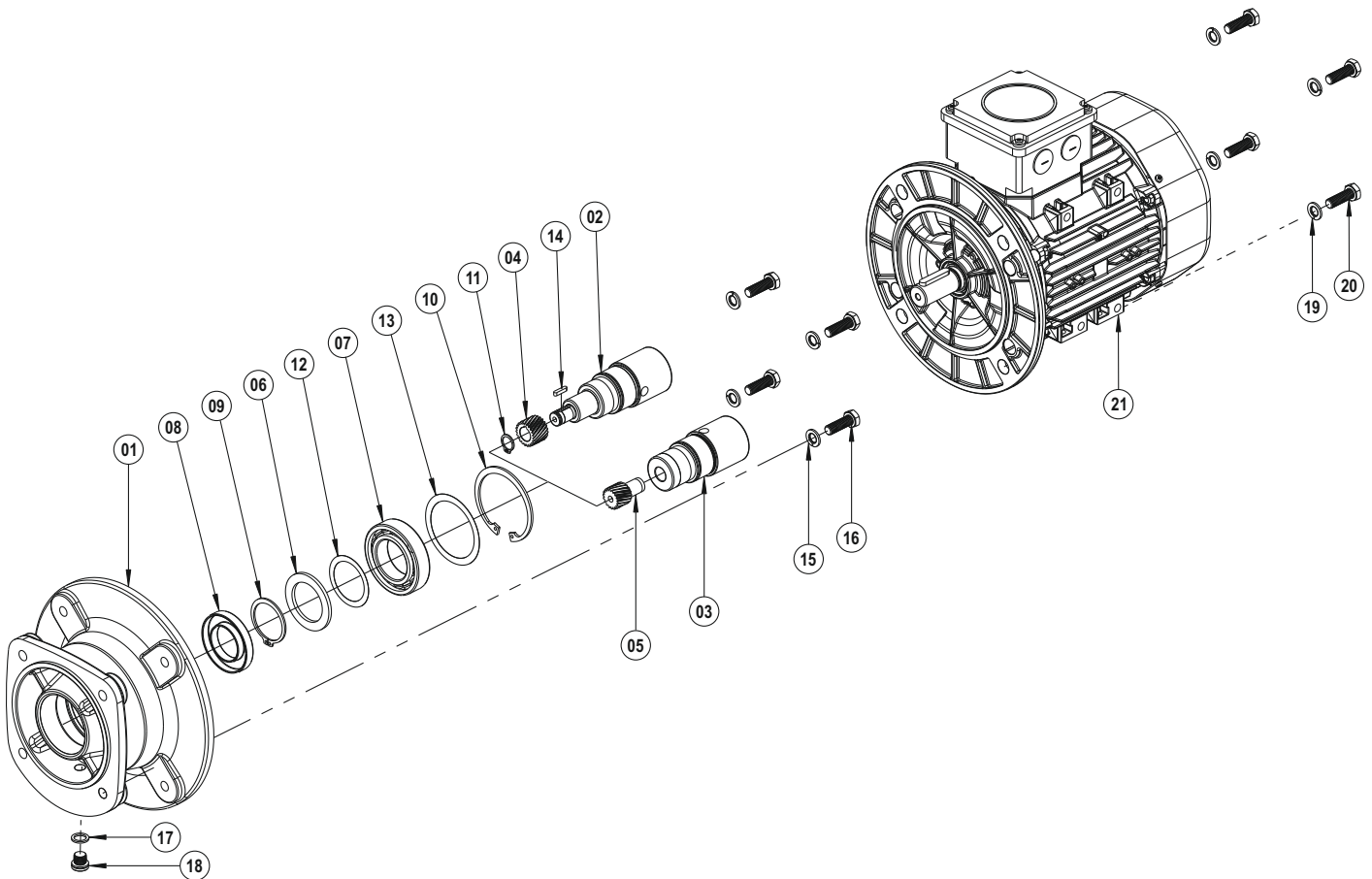
The exploded image may vary depending on the body and motor size, please contact us for the detailed exploded image.



- 01 Gear Case
- 02 IEC Shaft (With Key)
- 03 IEC Shaft (With Gear)
- 04 Driving Pinion (With Key)
- 05 Bearing Flange
- 06 Lubrication Cover
- 07 Coupling (Gearbox Side)
- 08 Coupling (Motor Side)
- 09 Spider
- 10 Automatic Lubricator
- 11 Automatic Lubricator Adapter
- 12 Bearing
- 13 Bearing
- 14 Oil Seal
- 15 Oil Seal
- 16 Circlip (DIN 471)
- 17 Circlip (DIN 471)
- 18 Circlip (DIN 471)
- 19 Circlip (DIN 471)
- 20 Shim (DIN 988)
- 21 Key (DIN 6885)
- 22 Key (DIN 6885)
- 23 Washer (DIN 127)
- 24 Bolt (DIN 933)
- 25 Bolt (DIN 912)
- 26 Washer (DIN 127)
- 27 Bolt (DIN 933)
- 28 Motor

PAM B5 / 63 ... 315

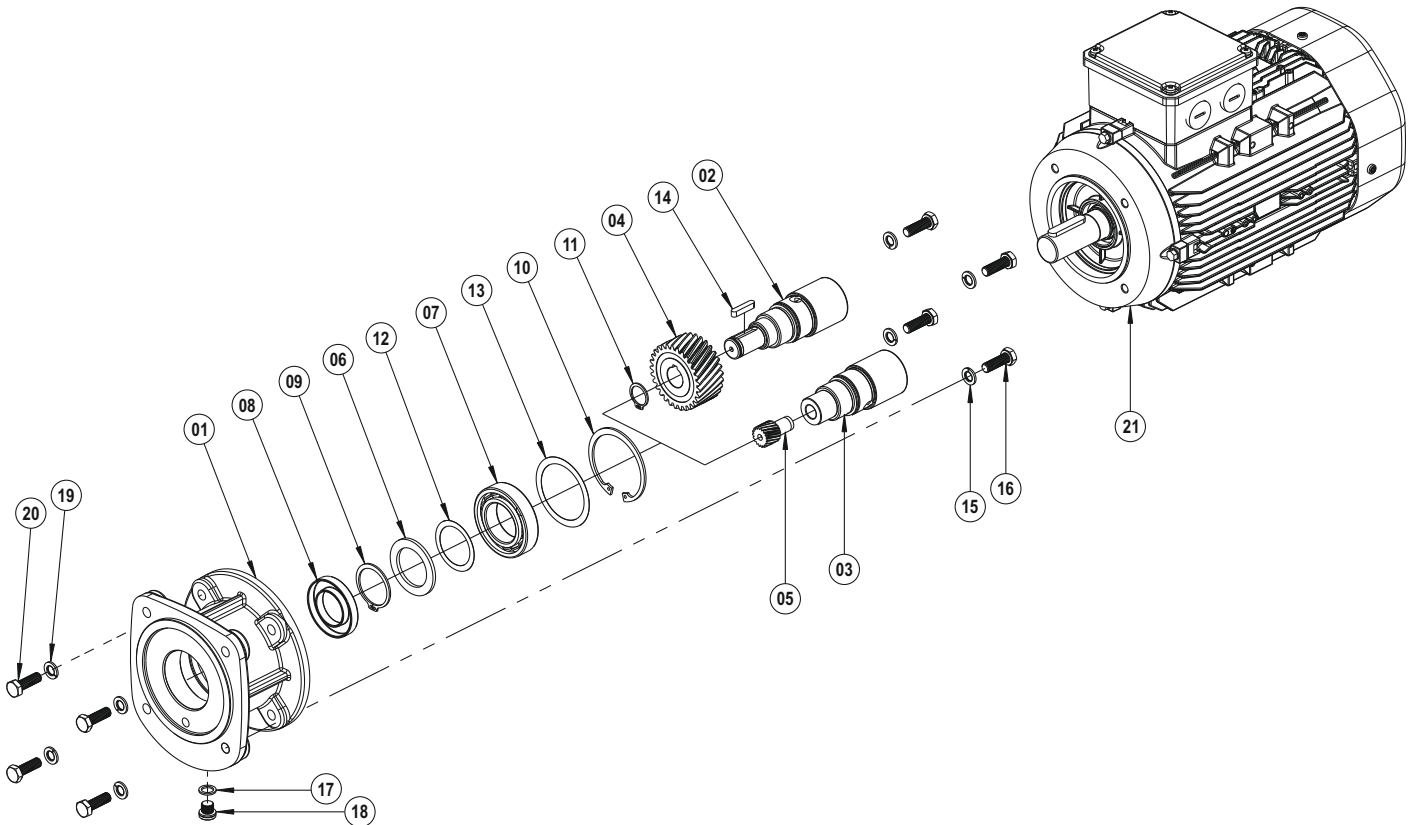
The exploded image may vary depending on the body and motor size, please contact us for the detailed exploded image.



- 01 Gear Case
- 02 PAM Shaft (With Key)
- 03 PAM Shaft
- 04 Driving Pinion (With Key)
- 05 Driving Pinion
- 06 Washer
- 07 Bearing
- 08 Oil Seal
- 09 Circlip (DIN 471)
- 10 Circlip (DIN 472)
- 11 Circlip (DIN 471)
- 12 Shim (DIN 988)
- 13 Shim (DIN 988)
- 14 Key (DIN 6885)
- 15 Washer (DIN 127)
- 16 Bolt (DIN 933)
- 17 Washer (DIN 7603)
- 18 Oil Plug (DIN 908)
- 19 Washer (DIN 127)
- 20 Bolt (DIN 933)
- 21 Motor

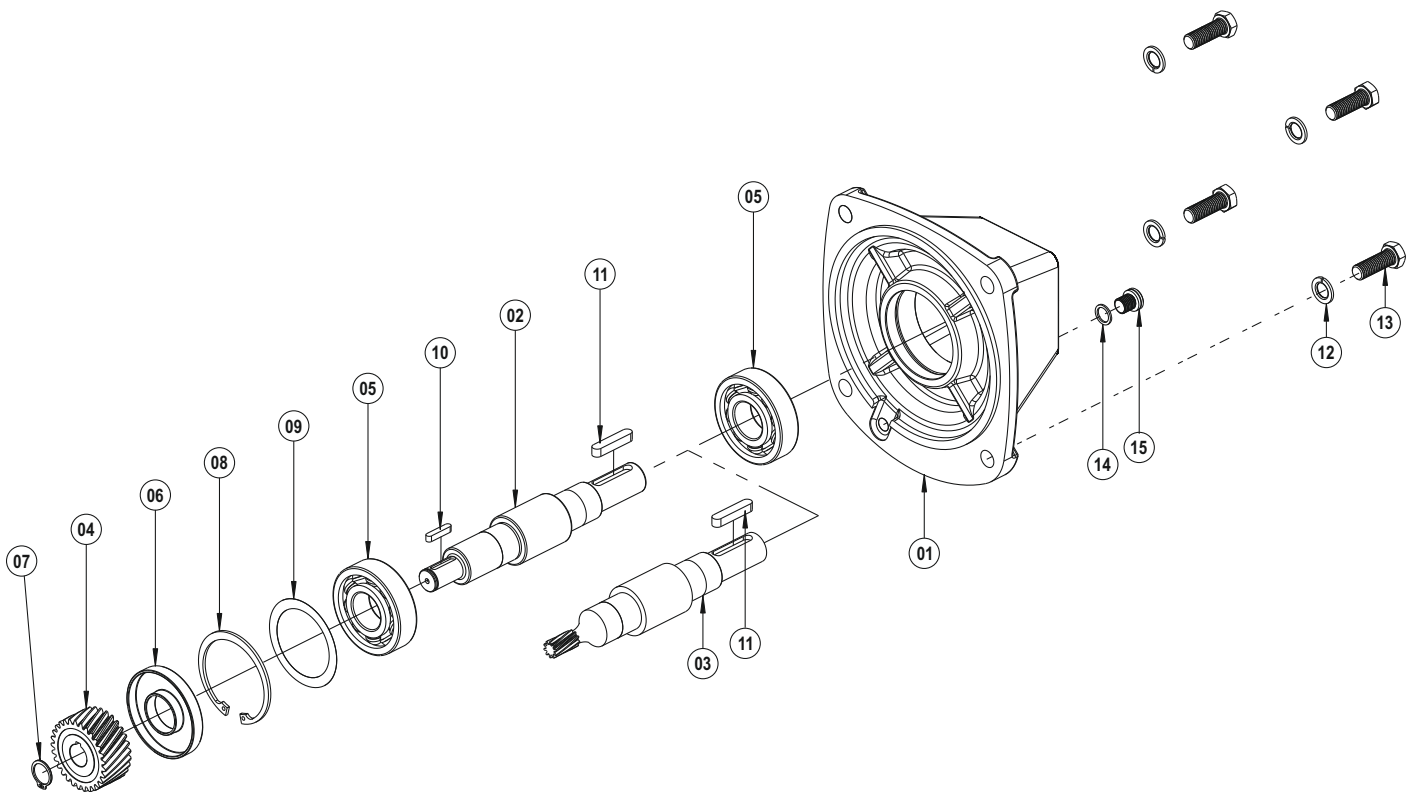
PAM B14 / 63 ... 132

The exploded image may vary depending on the body and motor size, please contact us for the detailed exploded image.



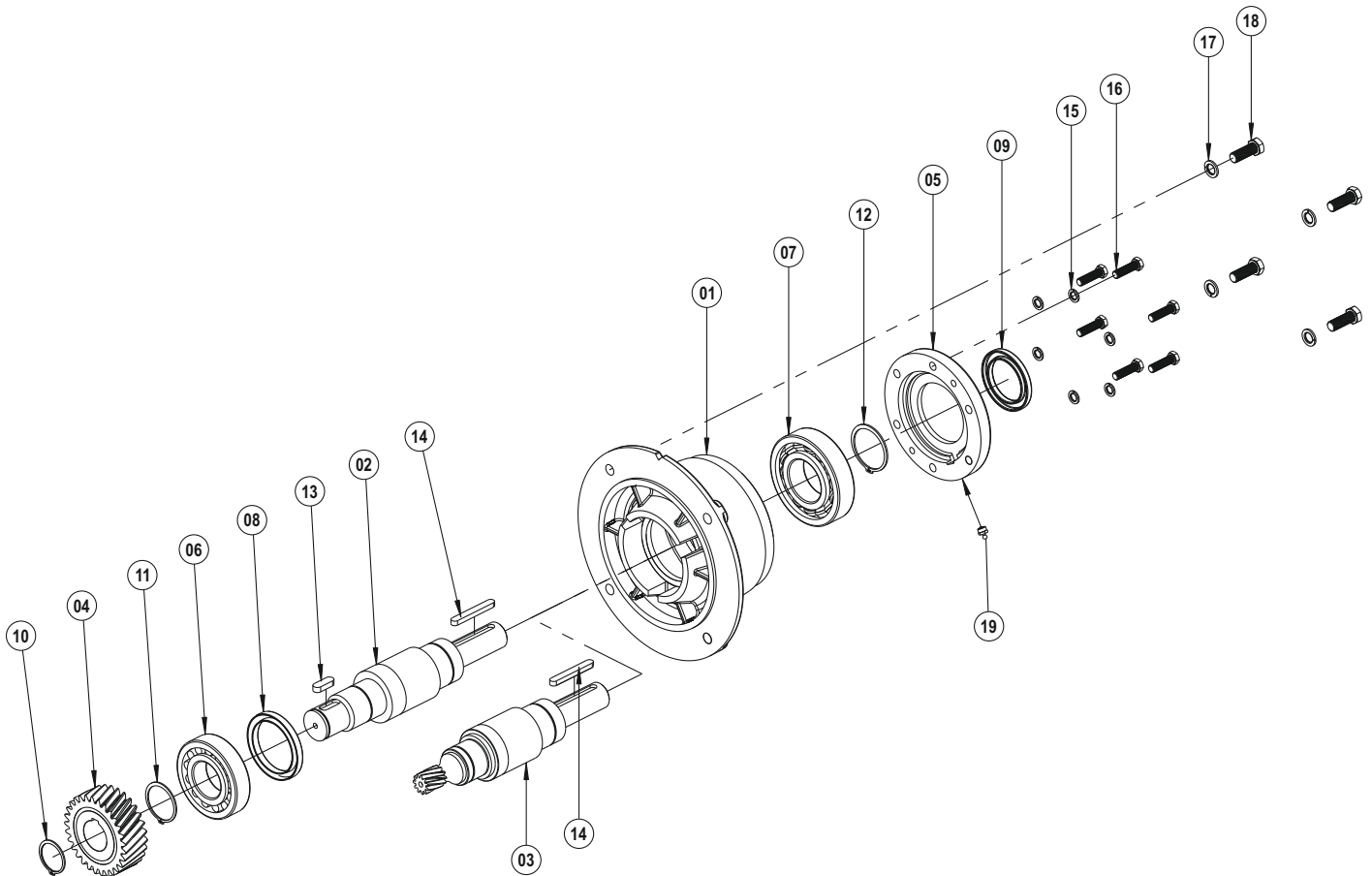
- 01 Gear Case
- 02 PAM Shaft (With Key)
- 03 PAM Shaft
- 04 Driving Pinion (With Key)
- 05 Driving Pinion
- 06 Washer
- 07 Bearing
- 08 Oil Seal
- 09 Circlip (DIN 471)
- 10 Circlip (DIN 472)
- 11 Circlip (DIN 471)
- 12 Shim (DIN 988)
- 13 Shim (DIN 988)
- 14 Key (DIN 6885)
- 15 Washer (DIN 127)
- 16 Bolt (DIN 933)
- 17 Washer (DIN 7603)
- 18 Oil Plug (DIN 908)
- 19 Washer (DIN 127)
- 20 Bolt (DIN 933)
- 21 Motor

The exploded image may vary depending on the body and motor size, please contact us for the detailed exploded image.



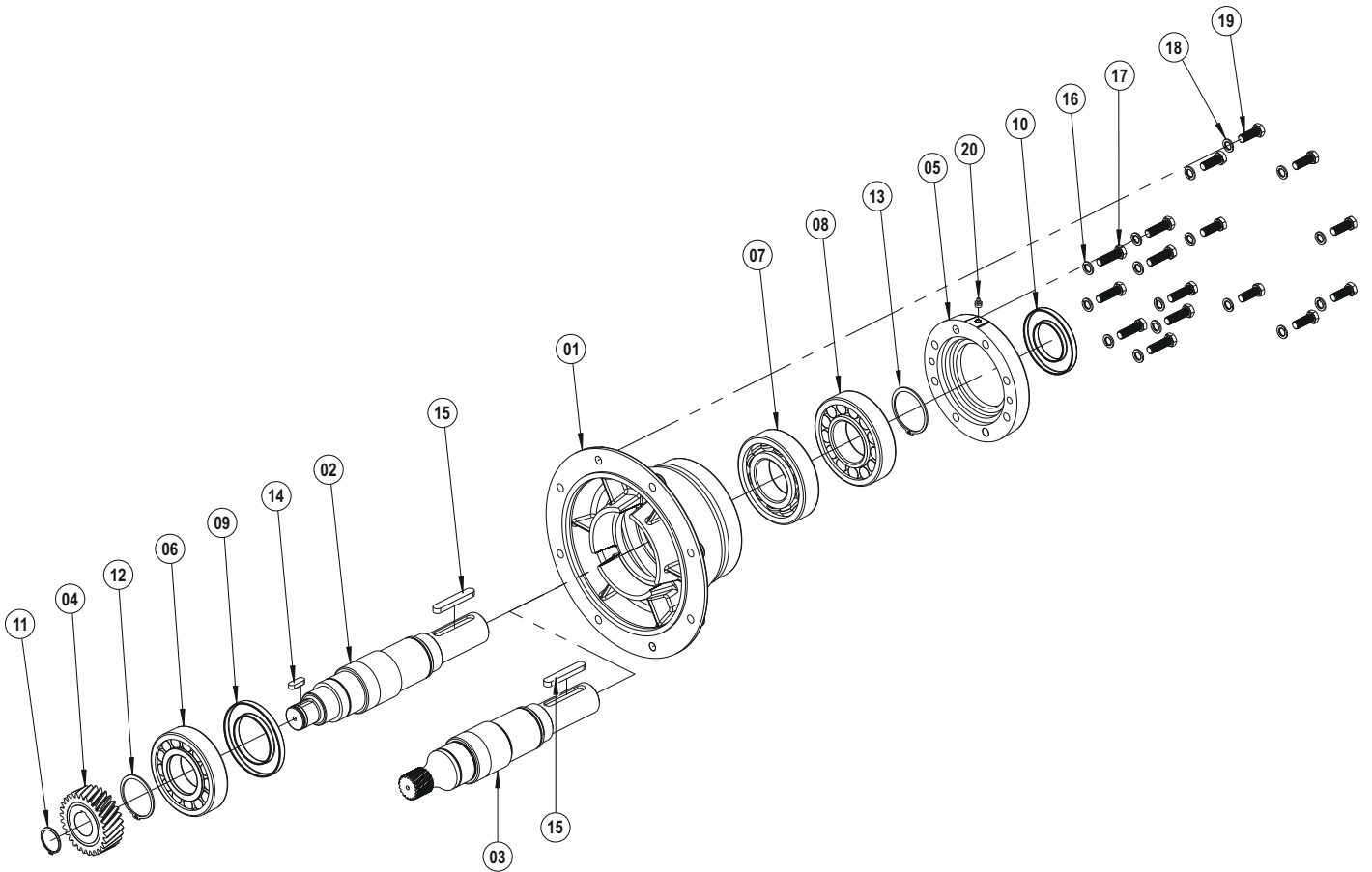
- 01 Gear Case
- 02 W Shaft (With Key)
- 03 W Shaft (With Gear)
- 04 Driving Pinion (With Key)
- 05 Bearing
- 06 Oil Seal
- 07 Circlip (DIN 471)
- 08 Circlip (DIN 472)
- 09 Shim (DIN 988)
- 10 Key (DIN 6885)
- 11 Key (DIN 6885)
- 12 Washer (DIN 127)
- 13 Bolt (DIN 933)
- 14 Washer (DIN 7603)
- 15 Oil Plug (DIN 908)

The exploded image may vary depending on the body and motor size, please contact us for the detailed exploded image.



- 01 Gear Case
- 02 W Shaft (With Key)
- 03 W Shaft (With Gear)
- 04 Driving Pinion (With Key)
- 05 Bearing Flange
- 06 Bearing
- 07 Bearing
- 08 Oil Seal
- 09 Oil Seal
- 10 Circlip (DIN 471)
- 11 Circlip (DIN 471)
- 12 Circlip (DIN 471)
- 13 Key (DIN 6885)
- 14 Key (DIN 6885)
- 15 Washer (DIN 127)
- 16 Bolt (DIN 933)
- 17 Washer (DIN 127)
- 18 Bolt (DIN 933)
- 19 Grease Nipple

The exploded image may vary depending on the body and motor size, please contact us for the detailed exploded image.



- 01 Gear Case
- 02 W Shaft (With Key)
- 03 W Shaft (With Gear)
- 04 Driving Pinion (With Key)
- 05 Bearing Flange
- 06 Bearing
- 07 Bearing
- 08 Bearing
- 09 Oil Seal
- 10 Oil Seal
- 11 Circlip (DIN 471)
- 12 Circlip (DIN 471)
- 13 Circlip (DIN 471)
- 14 Key (DIN 6885)
- 15 Key (DIN 6885)
- 16 Washer (DIN 127)
- 17 Bolt (DIN 933)
- 18 Washer (DIN 127)
- 19 Bolt (DIN 933)
- 20 Grease Nipple



- Ata OSB Mah. Astim 1. Cad. No: 4, Pk 105 Efeler / Aydın / TÜRKİYE
- T: +90 256 231 19 12 - 16 (pbx)
- F: +90 256 231 19 17
- info@pgr.com.tr - satissonrasi@pgr.com.tr
- www.pgr.com.tr